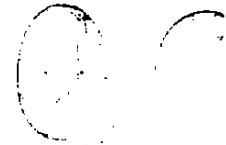


# KFC-P621

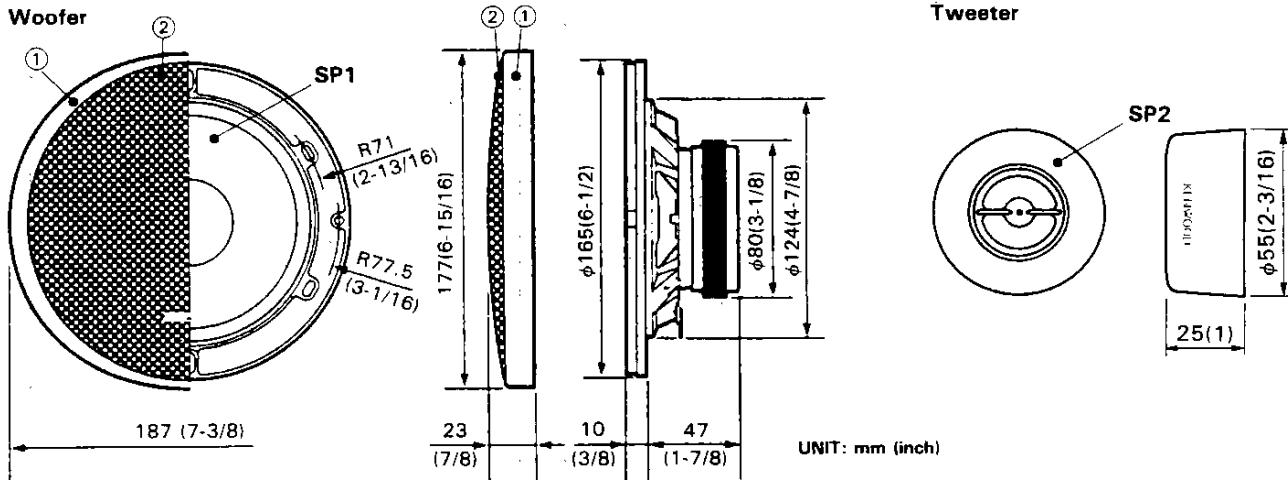
## SERVICE MANUAL

# KENWOOD

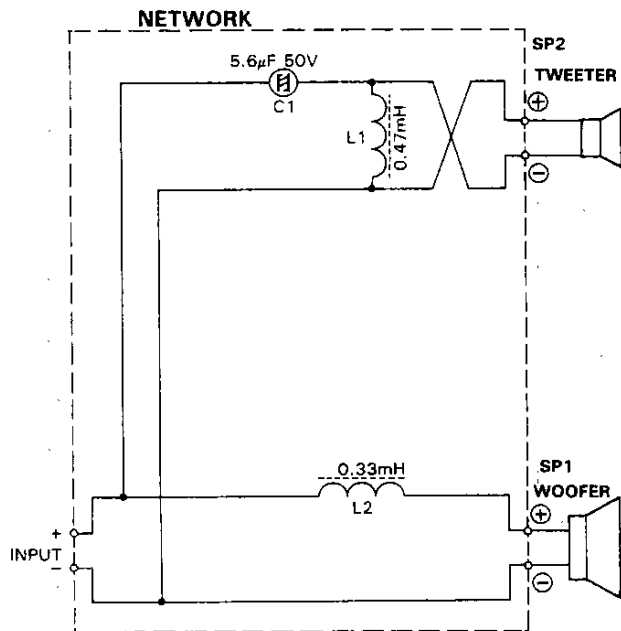


©1990-5 PRINTED IN JAPAN  
B51-6194/00(T) 1230

### EXTERNAL VIEW



### SCHEMATIC DIAGRAM



### SPECIFICATIONS

Woofer .....	16 cm (6 in) PP Cone Type 227 g (8 oz) Magnet
Peak Power .....	150 Watts
Sensitivity .....	89 dB/W at 1 m
Frequency Response .....	45 Hz ~ 8,000 Hz
Impedance .....	4 Ohms
Weight per Speaker with Grille ..	0.9 kg (2 lb)/Pc.
Tweeter .....	2.5 cm (1 in) Balanced Dome Type
Peak Power .....	150 Watts
Sensitivity .....	93 dB/W at 1 m
Frequency Response .....	3,500 Hz ~ 20,000 Hz
Impedance .....	4 Ohms
Weight Per Speaker .....	0.1 kg (0.22 lb)/Pc.

(KENWOOD follows a policy of continuous advancements in development.  
For this reason specifications may be changed without notice.)